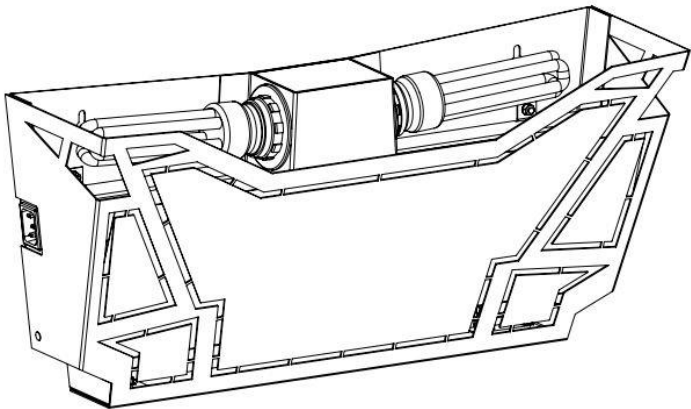




Model Astro 40 User Manual



Simon-8 Limited

email: info@simon-8.com
<https://www.simon-8.com>

HOW THIS FLY KILLER WORKS

To attract insects a special type of fluorescent lamp is used. The insect attractant lamp, emits Ultra Violet (UV) light at a wavelength of 368 nanometres, which is very attractive to most flying insects. This UV light is invisible to human eyes, but these lamps also emit a blueish light visible to humans. The insects are trapped on a glueboard within the unit. The adhesive on these glueboards is specially formulated to and UV resistant to remain very sticky for up to 3 months.

AREAS OF USE

This unit is intended for use in all food preparation and manufacturing areas where the presence of flying insects is a hygiene hazard.

The unit is for indoor use only.

The unit should be placed out of the reach of children or infirm people.

The unit should not be used where flammable vapour or explosive dust is likely to exist.

Should you have any queries contact Simon-8 Limited for advice before installation.

SITING THE UNIT

To obtain maximum benefit from your fly killer it is very important that the unit is sited in the correct position. The following points should be taken into consideration: The unit should be sited, wherever possible, at 90° to the major light source, e.g. largest window. Avoid siting too high, ideally the unit should be sited with the base as near to two metres (6ft 6in) from the floor as possible.

The unit must not be sited so that the light source is obscured; if flying insects can not see it, the unit will not be fully effective.

The unit should not be sited above a food preparation surface, as the intention of the unit is to attract insects away from such areas.

INSTALLATION

Astro 40 is a glueboard fly killer that can be mounted on the wall only. Once installed these units should only be switched off for maintenance and cleaning.

WARNING: Before commencing installation ensure that all packaging materials have been removed.

The unit is supplied with screws and wall plugs, for fixing the unit to the wall.

The unit can be stood on a flat surface, such as a shelf, without the need for any securing. The surface must be stable however and not prone to movement. It would not be advisable; for instance, to put the unit on top of a refrigerator, for this would be subject to regular disturbance. The unit is supplied complete with a connector plug, two metres of mains cable and a fitted mains plug.

Once installed the mains plug must always be accessible to allow the unit to be disconnected for maintenance and cleaning.

INSTALLATION WARNING: THIS APPLIANCE MUST BE EARTHED

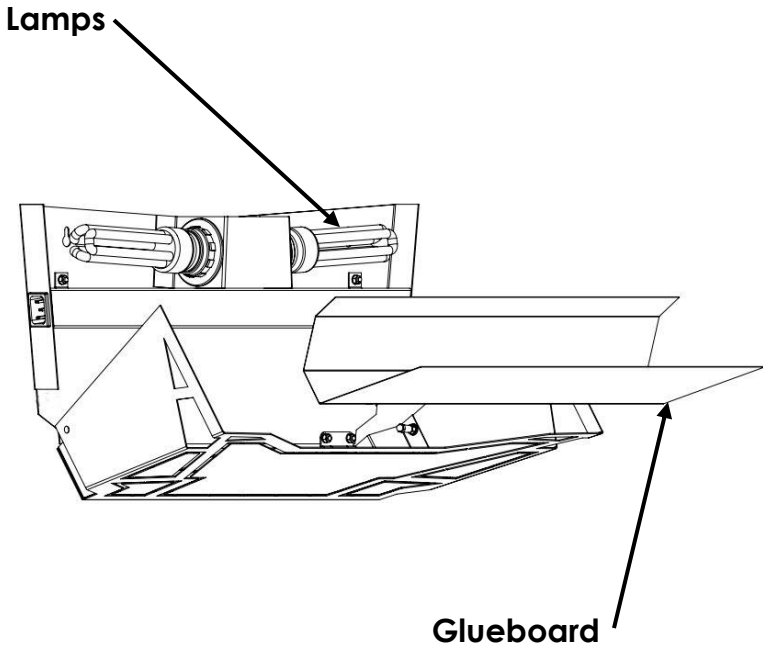
THIS APPLIANCE MUST BE
FIXED IN POSITION BEFORE
ELECTRICITY IS
CONNECTED

Check that the electrical details on the unit correspond with the electrical supply to which the unit is to be connected. The 13 amp (BS1363) plug has a 3 amp fuse fitted (UK and Ireland).

If an isolation switch is used it must have a contact separation of 3mm in each pole.

MAINTENANCE

Always SWITCH OFF and DISCONNECT the electrical supply before attempting any work on the unit. The unit is designed to a high standard and built to give many years of trouble free service.



OPENING THE FRONT COVER

The front cover can easily be opened for cleaning and servicing. To open simply pull the top of the cover forward and it will hinge downwards out of the way giving access to the lamps and glueboard.

REPLACING THE LAMP

Switch off the electrical supply and open the guard. The unit is fitted with Edison E27 screw type lamps, release the lamp by unscrewing it out from the lamp holders.

CLEANING

The body of the unit should only need occasional wiping over with a damp cloth and mild liquid detergent. To remove the glueboard, switch off the electrical supply and open the guard. Lift the glueboard upwards until it is completely free. With the glueboards removed the inside of the unit can be wiped over with a damp cloth and mild detergent.

ITEM NO.	PART NUMBER	QTY.
1	Hinge	2
2	Uplighter Cover Assembly	1
3	Astro/Novo Glueboard	1
4	E27 Lampholder	2
5	E27 Lampholder Ring	4
6	Lamp 368 BL Mini Lynx 20 Watt	2
7	IEC C14 Inlet	1
8	Lamp Holder Bracket Assembly	1
9	Backplate Rev 5	1
10	Lamp Chassis Rev 5	1

