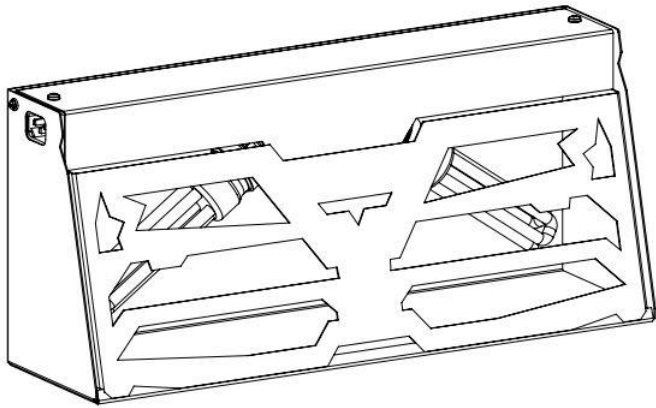




## Model Nova 40 User Manual



***Simon-8 Limited***

email: [info@simon-8.com](mailto:info@simon-8.com)

web: [www.simon-8.com](http://www.simon-8.com)

## **HOW THIS FLY KILLER WORKS**

*To attract insects a special type of fluorescent lamp is used. The insect attractant lamp, emits Ultra Violet (UV) light at a wavelength of 368 nano metres, which is very attractive to most flying insects. This UV light is invisible to human eyes, but these lamps also emit a blueish light visible to humans. The insects are trapped on a glue board within the unit. The adhesive on these glue boards is specially formulated to and UV resistant to remain very sticky for up to 3 months.*

## **AREAS OF USE**

*This unit is intended for use in all food preparation and manufacturing areas where the presence of flying insects is a hygiene hazard.*

**The unit is for indoor use only.**

**The unit should be placed out of the reach of children or infirm people.**

**The unit should not be used where flammable vapour or explosive dust is likely to exist.**

*Should you have any queries contact Simon-8 Limited for advice before installation.*

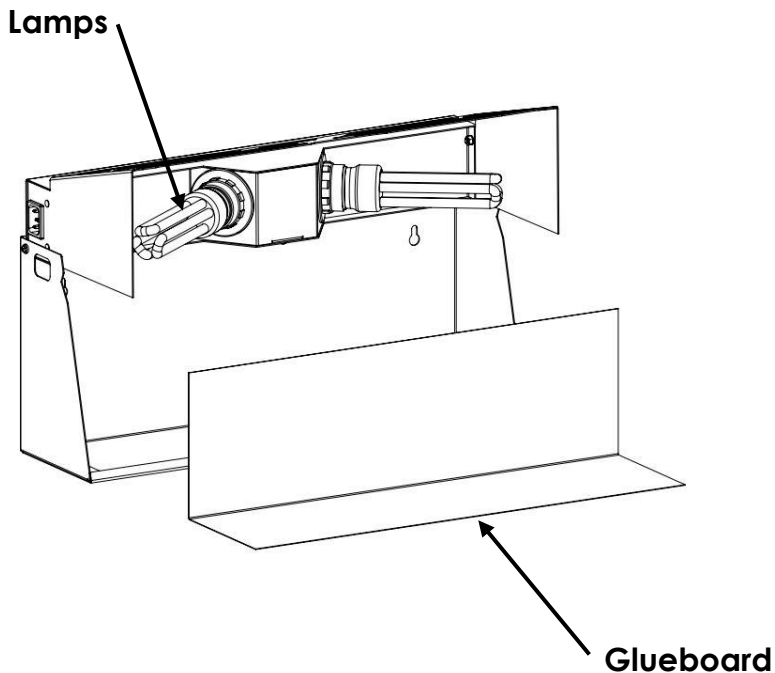
## **SITING THE UNIT**

*To obtain maximum benefit from your fly killer it is very important that the unit is sited in the correct position. The following points should be taken into consideration: The unit should be sited, wherever possible, at 90° to the major light source, e.g. largest window. Avoid siting too high, ideally the unit should be sited with the base as near to two metres (6ft 6in) from the floor as possible.*

*The unit must not be sited so that the light source is obscured; if flying insects can not see it, the unit will not be fully effective.*

*The unit should not be sited above a food preparation surface, as the intention of the unit is to attract insects away from such areas.*





## **OPENING THE GUARD**

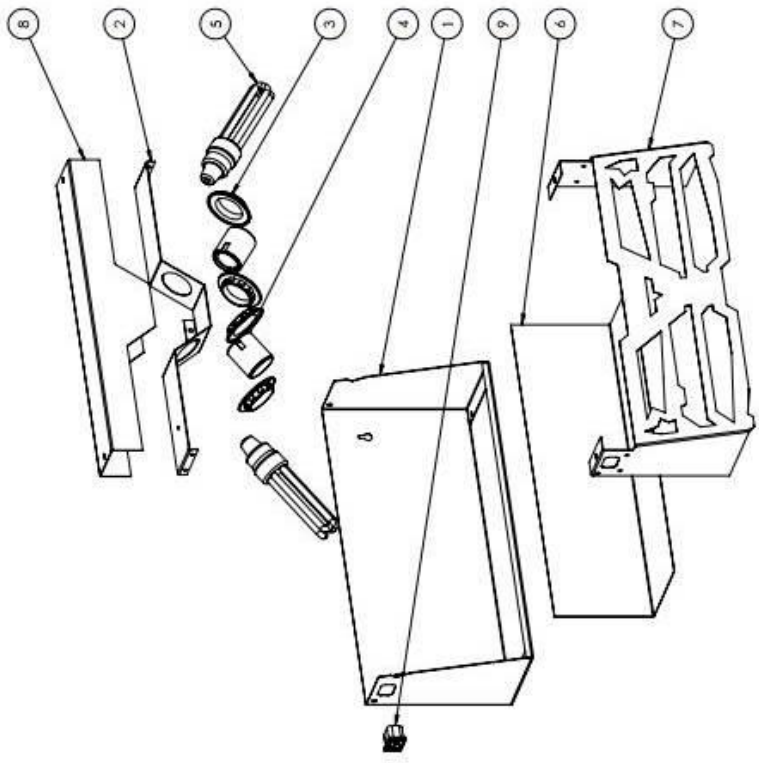
*The guard can be opened for easy cleaning and servicing. To open the guard first disconnect the plug from the left hand side, the guard will not open until this plug is removed. The guard can now swing open to allow access to the lamps and glue board.*

## **REPLACING THE LAMP**

*Switch off the electrical supply and open the guard. The unit is fitted with Edison E27 screw type lamps, release the lamp by unscrewing it out from the lamp holders.*

## **CLEANING**

*The body of the unit should only need occasional wiping over with a damp cloth and mild liquid detergent. To remove the glue board, switch off the electrical supply and open the guard. Lift the glue board upwards until it is completely free. With the glue boards removed the inside of the unit can be wiped over with a damp cloth and mild detergent.*



ITEM NO.	DESCRIPTION	QTY.
1	Body	1
2	Lampholder Bracket	1
3	E27 Lamp Holder Ring	4
4	E27 Lampholder	2
5	Lamp 3688L Mini Lynx 20 Watt	2
6	Astro/Nova Glueboard	1
7	Hinged Guard	1
8	Lampholder Cover	1
9	IEC C14 Inlet	1