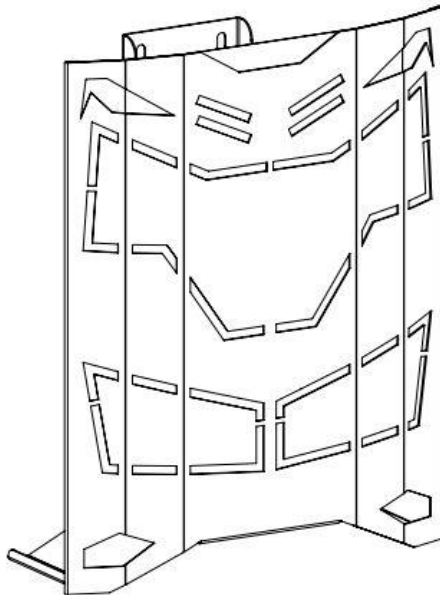




Model Cosmo 20 User Manual



Simon-8 Limited

email: info@simon-8.com

<https://www.simon-8.com>

HOW THIS FLY KILLER WORKS

To attract insects a special type of fluorescent lamp is used. The insect attractant lamp, emits Ultra Violet (UV) light at a wavelength of 368 nano metres, which is very attractive to most flying insects. This UV light is invisible to human eyes, but these lamps also emit a blueish light visible to humans. The insects are trapped on a glue board within the unit. The adhesive on these glue boards is specially formulated to and UV resistant to remain very sticky for up to 3 months.

AREAS OF USE

This unit is intended for use in all food preparation and manufacturing areas where the presence of flying insects is a hygiene hazard.

The unit is for indoor use only.

The unit should be placed out of the reach of children or infirm people.

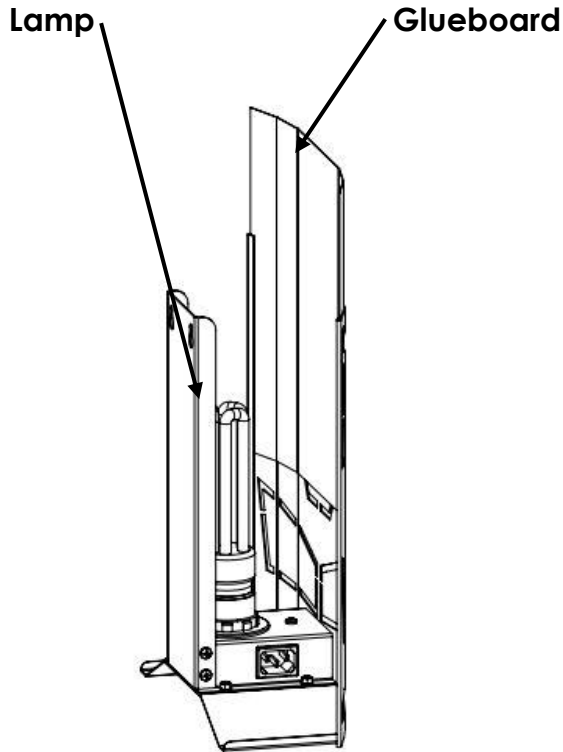
The unit should not be used where flammable vapour or explosive dust is likely to exist.

Should you have any queries contact Simon-8 Limited for advice before installation.

SITING THE UNIT

To obtain maximum benefit from your fly killer it is very important that the unit is sited in the correct position. The following points should be taken into consideration: The unit should be sited, wherever possible, at 90° to the major light source, e.g. largest window. Avoid siting too high, ideally the unit should be sited with the base as near to two metres (6ft 6in) from the floor as possible.

The unit must not be sited so that the light source is obscured; if flying insects can not see it, the unit will not be fully effective.



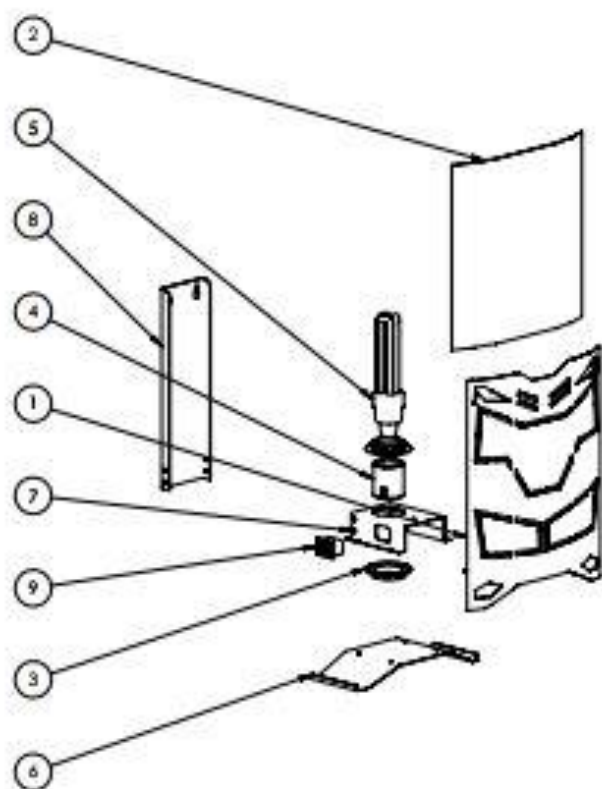
REPLACING THE LAMP

Switch off the electrical supply, the unit is fitted with Edison E27 screw type lamp, release the lamp by unscrewing it out from the lamp holders.

CLEANING

The body of the unit should only need occasional wiping over with a damp cloth and mild liquid detergent. To remove the glue board, switch off the electrical supply then the glue board can simply slide upwards and out of the unit at the top.

With the glue boards removed the inside of the unit can be wiped over with a damp cloth and mild detergent.



ITEM NO.	DESCRIPTION	QTY.
1	Front Cover	1
2	Glass Coverboard	1
3	E27 Lampholder Ring	2
4	E27 Lampholder	1
5	Lamp 3688L Mini Lyrix 20 watt	1
6	Base Bracket	1
7	Lampholder Bracket	1
8	Wall Fixing Bracket	1
9	EEC C14 Inlet	1